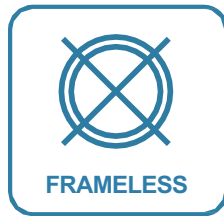


# SQUARE



SQUARE



FRAMELESS



PLASTERED - IN



PAINABLE



The Ventmann SQUARE vent diffuser can act as both an air distributor and a minimalist interior element. It will accentuate the precise lines and rigid angles of your design, with an elegance that means it can be an integral part of any interior.

Due to their well-defined shape, multiple Ventmann SQUARE diffusers can be installed in a single room for an impressive effect.

The Ventmann SQUARE vent diffuser is also a practical solution. Like all of our units, they are mounted at the same time as the walls and ceilings, and can be painted with the same paint. This is all thanks to our unique gypsum composite.

In addition, even standard SQUARE models can be adapted to your needs:

- 100mm or 125mm - these are the standard connection nozzle diameters that you can select.
- The diffuser cap is supported by our new Click system.

This system makes it even easier to put the cap in place correctly. It is also more environmentally friendly and has a higher operational temperature range than the magnets previously used.

If you are looking for non-standard interior details for your project, or your market requires specific SQUARE vent diffuser sizes - we can help you.

To get a look at how these diffusers appear inside an interior, and to understand the installation process, you can watch our product showcase video. Use the QR code below to access it.

You will find all of the technical details you need on the Ventmann SQUARE vent diffuser in our catalogue, and our consultants are ready to answer any questions you might have.

Ventmann – your choice of air elegance.



LINE / PLINE



CIRCLE / PCIRCLE



SQUARE



Installation:  
video instructions  
 YouTube



Download a digital  
version of the catalog  
 Download



ART

# SQUARE 100/125

SQUARE-SLOT DIFFUSER



100/125 mm

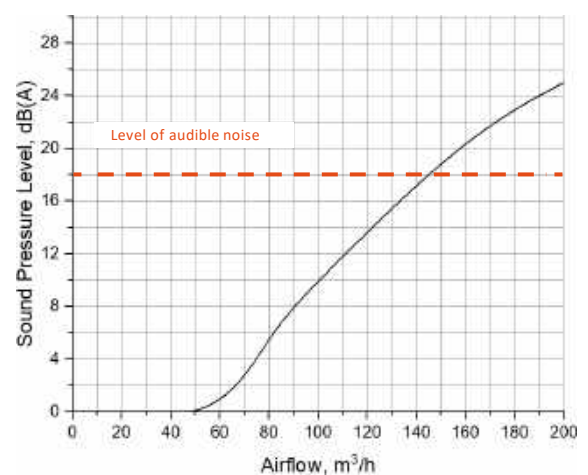
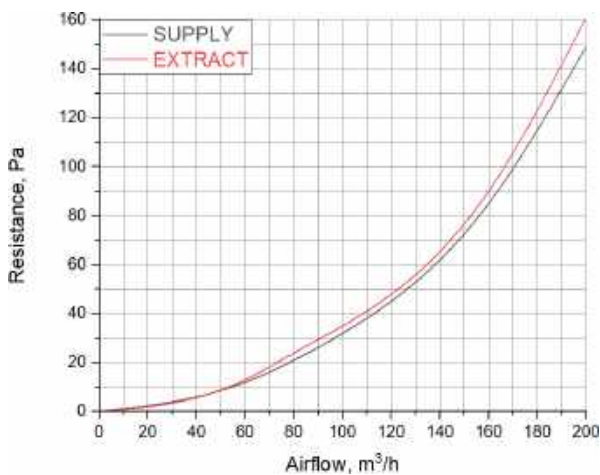
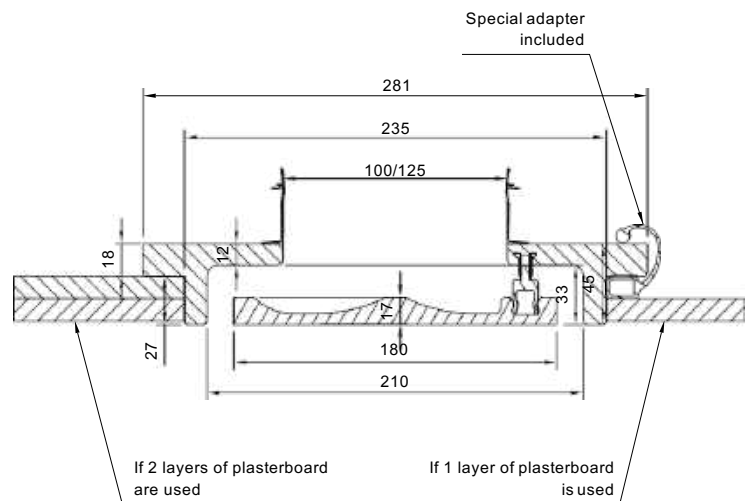
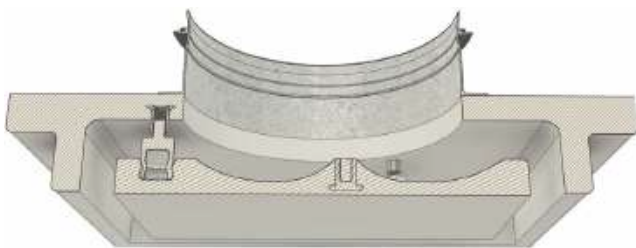
CONNECTION DIAMETER

2,40 kg

WEIGHT WITHOUT PACKAGING (NET)

Order code for 100  $\phi$ :  
**SQUARE 100**  
Hole diameter

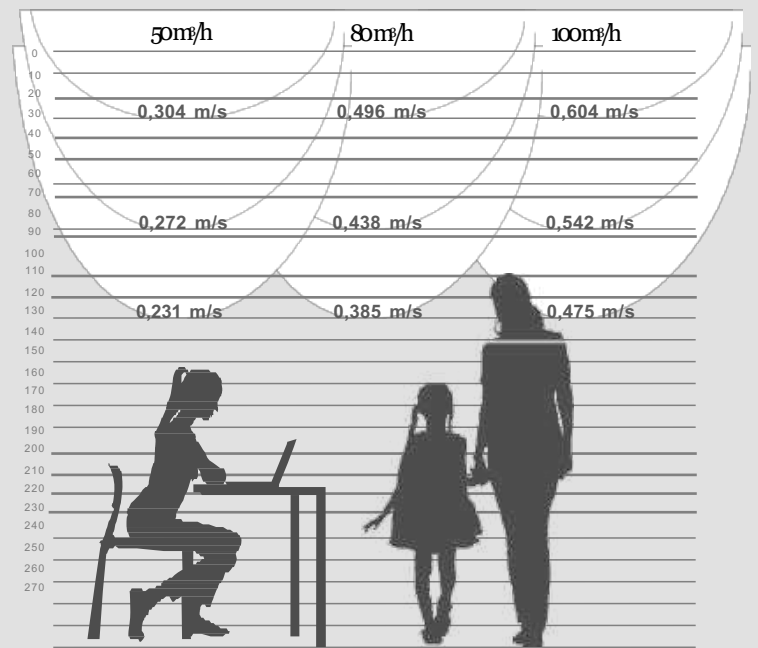
Order code for 125  $\phi$ :  
**SQUARE 125**  
Hole diameter



The Ventmann SQUARE vent diffuser is frameless and features a square sloy. It is ideal for a variety of room sizes and spaces, and several units can be deployed in one room.

It can be used for both air supply and air extraction, and can be manufactured with a 100mm or 125mm connection pipe.

## SENSIBLE AIRFLOW



Airflow perceptible with the Square diffuser at a height of 2.70 m

## AIR VELOCITY AT DISTANCE FROM DIFFUSER

