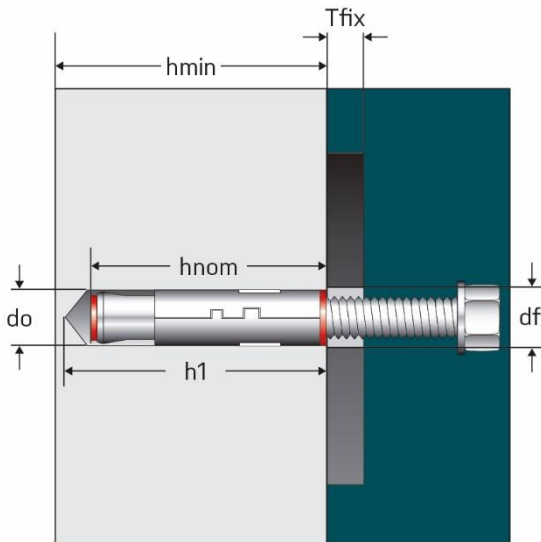


MASONMATE® Technical Data Sheet

Shield anchor



Tfix = Fixing thickness
 do = Drill hole diameter
 h1 = Drill hole depth
 hmin = Concrete thickness
 hnom = Minimum embedment depth
 df = Hole diameter on the fixing element
 Tinst = Installation torque

Suitable Applications:

- Concrete
- Solid stone
- Solid brick
- Concrete blocks

Loose Bolt & Projecting Bolt

Size ØxL	Tfix (mm)	do (mm)	h1 (mm)	hnom (mm)	hmin (mm)	Tinst (Nm)	Code Hex Head loose bolt	Code Projecting bolt type
M6x45	5	12	55	45	90	10	0865L610	0865P610
	20						0865L625	0865P625
	35						0865L640	-
	55						-	0865P660
M8x50	10	14	60	50	100	25	0865L810	0865P810
	25						0865L825	0865P825
	40						0865L840	-
	60						-	0865P860
M10x60	5	16	70	60	120	50	0865L1010	-
	10						-	0865P1015
	20						0865L1025	-
	25						-	0865P1030
	45						0865L1050	-
	55						-	0865P1060
	70						0865L1075	-
M12x75	5	20	90	75	150	80	0865L1210	-
	10						-	0865P1215
	20						0865L1225	-
	25						-	0865P1230
	35						0865L1240	-
	55						0865L1260	-
	70						-	0865P1275
M16x115	5	25	130	115	230	150	-	0865P1615
	10						0865L1615	-
	25						0865L1630	0865P1635
	55						0865L1660	-

MASONMATE® Technical Data Sheet

Shield anchor

Hook Bolt & Eye Bolt ZINC CLEAR CR3+



Type	Size ØxL	Eye Hole Width (mm)	do (mm)	h1 (mm)	hnom (mm)	hmin (mm)	Tinst (Nm)	Code
Hook Bolt	M6x45	-	12	55	45	90	10	0865H6
	M8x50	-	14	60	50	100	25	0865H8
	M10x60	-	16	70	60	120	50	0865H10
Eye Bolt	M6x45	10	12	55	45	90	10	0865YE6
	M8x50	12	14	60	50	100	25	0865YE8
	M10x60	14	16	70	60	120	50	0865YE10
	M12x75	16	20	90	75	150	80	0865YE12

Shield only

Size ØxL	do (mm)	Screw diameter (mm)	h1 (mm)	hnom (mm)	hmin (mm)	Code
M6x45	12	M6	55	45	90	0865S6
M8x50	14	M8	60	50	100	0865S8
M10x60	16	M10	70	60	120	0865S10
M12x75	12	M12	55	45	90	0865S12

MASONMATE® Technical Data Sheet

Shield anchor

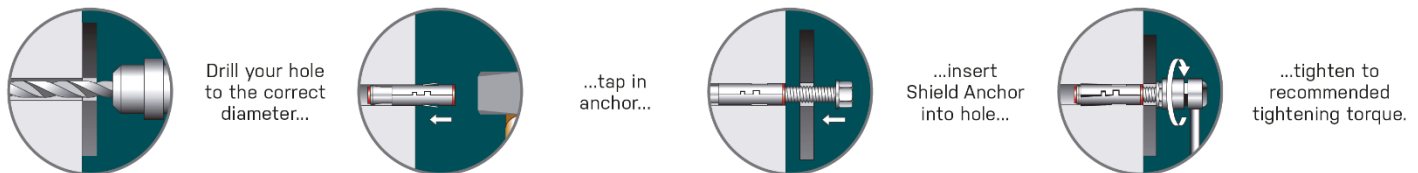
Performance data (C20/25 uncracked concrete)

hef = Anchorage depth
Ccr,N = Critical edge distance
Scr,N = Critical spacing
Nrec = Recommended Tensile Load
Vrec = Recommended Shear Load

Size	do	hef (mm)	Ccr,N (mm)	Scr,N (mm)	Nrec (kN)	Vrec (kN)	Nrec (kN)*	Nrec (kN)**
M6	12	45	67.5	135	2.45	2.1	1.05	0.3
M8	14	50	75	150	2.94	3.9	1.5	0.8
M10	16	60	90	180	3.92	5.4	2	1.3
M12	20	75	112.5	225	6.13	8.4	3	-
M16	25	115	172.5	345	8	14.3	-	-

*Recommended tensile load referred at the "Eye bolt" accessory only.

** Recommended tensile load referred at the "Hook bolt" accessory only.



The recommended loads derive from the mean ultimate loads and are inclusive of the safety factor $\gamma=4$

Due to the variable nature of the substrates this data is provided for guidance only and performance is subject to the correct installation of the product.

The information provided is based on the principles, formulae and safety factors set out in the installation instructions and data sheets that are believed to be correct at the time of writing.

The data and values are based on the respective average values obtained from tests under laboratory or other controlled conditions. It is the user's responsibility to use the data given in the light of conditions on site and taking into account the intended use of the products concerned. The user should check that the listed prerequisites and criteria conform with the conditions actually existing on the site.

Whilst we can give general guidance and advice, the nature of the products means that the ultimate responsibility for selecting the right product for a particular application must lie with the customer.